

**FULLY AUTOMATIC NECK TAG PROMO APPLICATOR**

### Features:

- Designed to “push” into existing line
- Can be fitted with Auto-interchange
- Tag placement of +/- 1mm
- Self contained operation
- No stopping to change rolls
- Fast package change-over
- Operator interface/touch-screen
- Designed to fit in new or existing line
- Orientation available
- Can be moved from one line to another

### Specifications:

PLC:	As specified by client
Power:	220v /Single Phase/ 20amp
Web Speed:	0-50 Linear Meters
Label Drive:	AC Servo closed loop
Positioning:	AC Servo closed loop
Execution:	Left or Right
Frame:	Stainless/Aluminum
Tag Size size:	As specified by client
Application speed:	Up to 300 per min

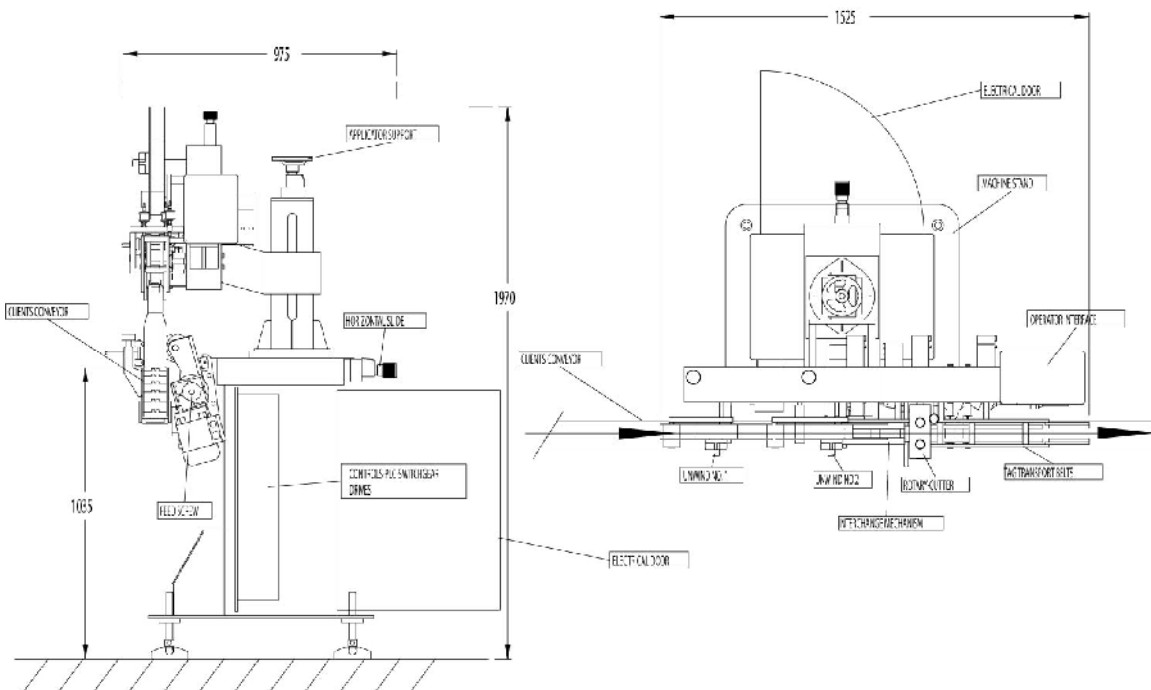
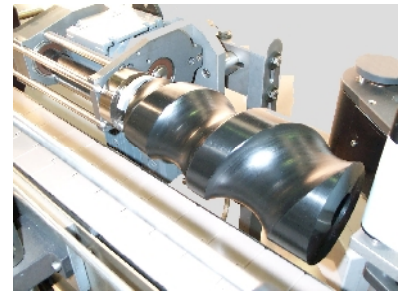


### OPERATOR INTERFACE/TOUCH-SCREEN

- Link to PLC
- Available in Different languages
- Located on a Swivel arm for easy access
- Analogue reference to control all AC motors
- Mitsubishi standard or as specified
- Change settings "on-the-fly"

### FEEDSCREW ASSEMBLY

- Positive product separation
- Controlled through Operator Interface/Touch-screen
- Quick change system



[www.impresstiklabelers.com](http://www.impresstiklabelers.com)

More than 200 Impresstik labelers have been installed into the North American Wine Industry with 50+ installed into mobile bottling lines. All machines are manufactured to the customer's specifications

[andy@impresstiklabelers.com](mailto:andy@impresstiklabelers.com)